

DataSheet

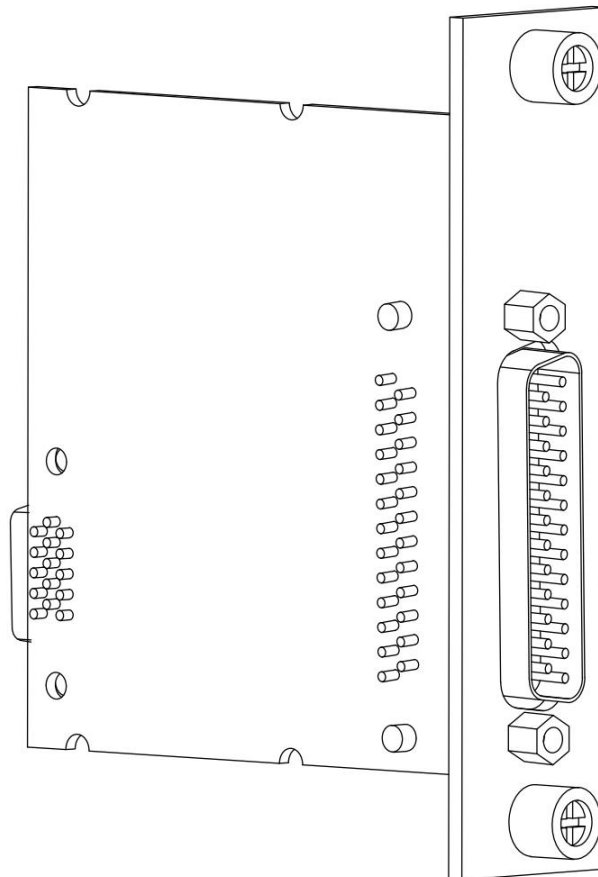
MT-E750

4 DI, 4 DO, 5V/TTL, 25 ns

This document contains the specifications for MT-E750. Specifications are typical at 25°C unless otherwise noted.

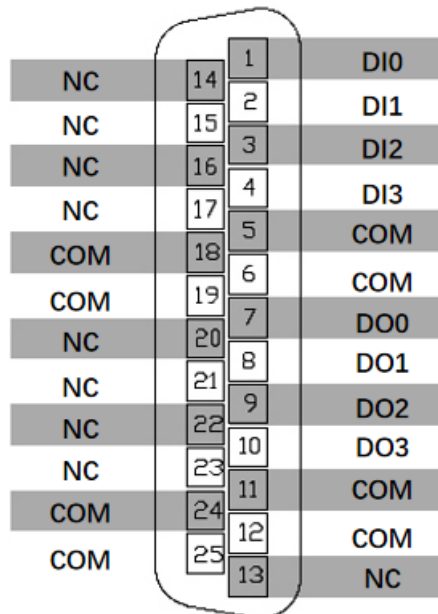


Caution Using the MT-E750 in a manner not described in this document may impair the protection the MT-E750 provides.

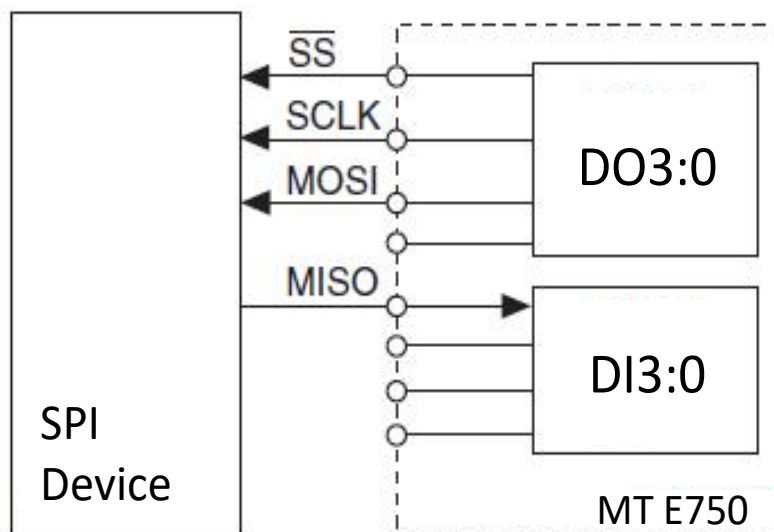


MT-E750 Connectivity

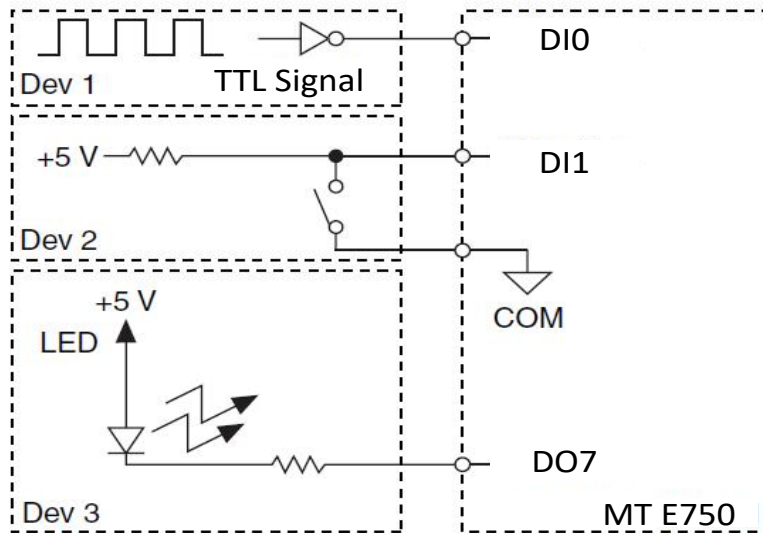
Pin definition of DSUB connector and Spring Terminal connector.



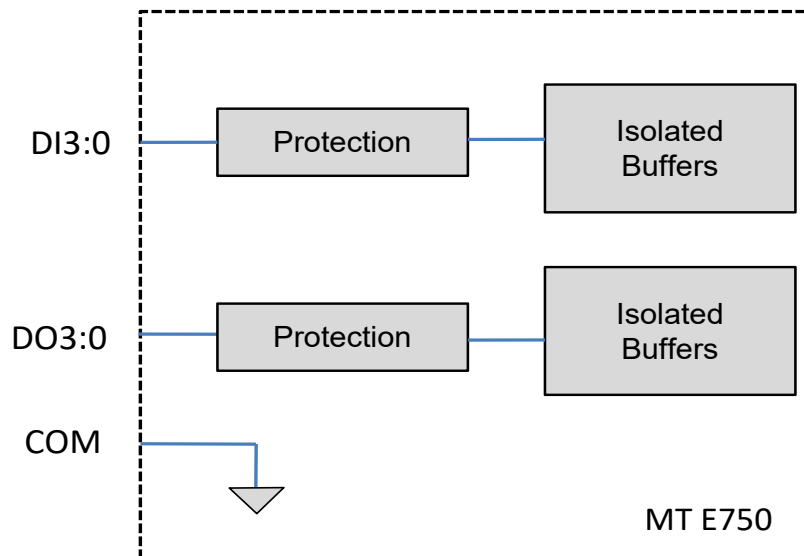
Connect SPI Device to MT E750.



Connect different digital devices to MT E750.



Input/Output Circuitry



There are four digital input channels and four digital output channels. All channels are internally referenced to COM.

MT E750 Specifications

The following specifications are typical for the range -40°C to 70°C unless otherwise noted. All voltages are relative to COM unless otherwise noted.

Input/Output Characteristics

Number of channels	4 DI channels,4 DO channels
Input/output type	TTL,single-ended
Digital logic levels	
Input	
Voltage	5.23V maximum
High,VIH	3.5V minimum
LOW,VIL	1.5V maximum
Output	
Voltage	5.23V maximum
High,VOH	4.8V minimum
LOW,VOL	0.1V maximum
Maximum signal switching frequency,per channel	
Input	20MHz
Output	40MHz
I/O propagation delay	13 ns maximum
I/O pulse width distortion	3ns
Input current per channel	$\pm 10\mu\text{A}$
Input capacitance	4pF
Overvoltage protection	$\pm 30\text{ V}$

Support

MT-RIO上手指南:

<http://server.mangotree.cn:9900/WebFile/Downloads/上手指南/MT-RIO/>



RIO上手指南

MT-RIO视频教程:

<http://server.mangotree.cn:9900/WebFile/Downloads/视频教程/MT-RIO/>



RIO视频教程

MT-Master上手指南:

<http://server.mangotree.cn:9900/WebFile/Downloads/上手指南/MT-Master/>



Master上手指南

MT-Master视频教程:

<http://server.mangotree.cn:9900/WebFile/Downloads/视频教程/MT-Master/>



Master视频教程

Dimensions:(mm)

