

DataSheet

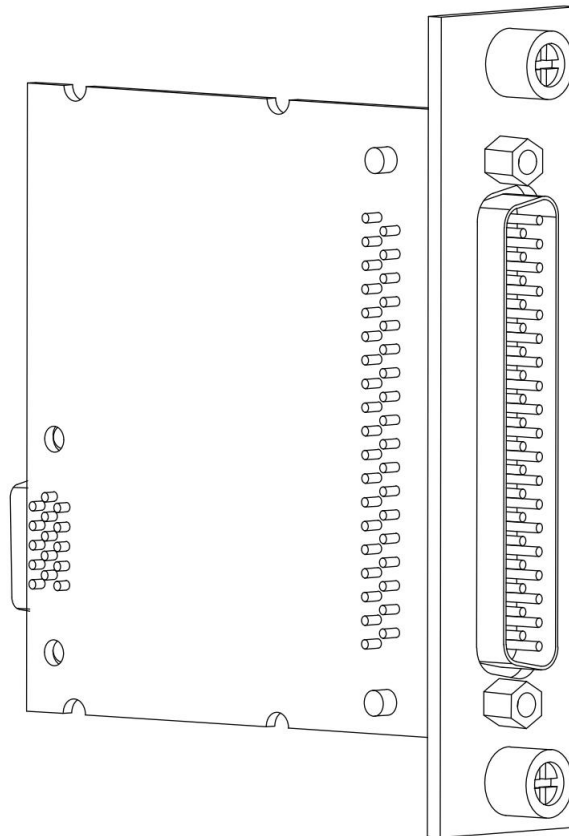
MT-E754

16 DI/16 DO, 7us Sinking DI, 8us Sourcing DO

This document contains the specifications for MT-E754. Specifications are typical at 25°C unless otherwise noted.

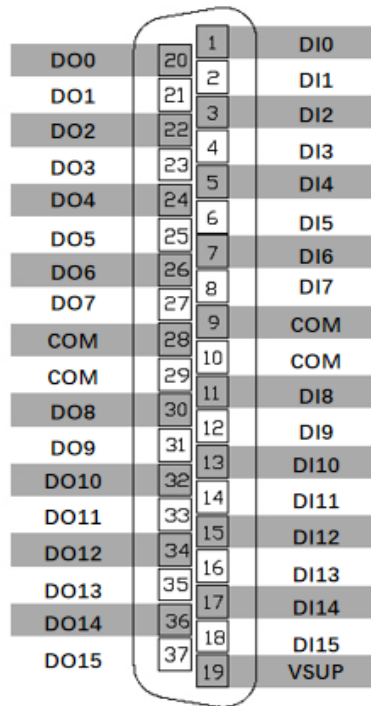


Caution Using the MT-E754 in a manner not described in this document may impair the protection the MT-E754 provides.

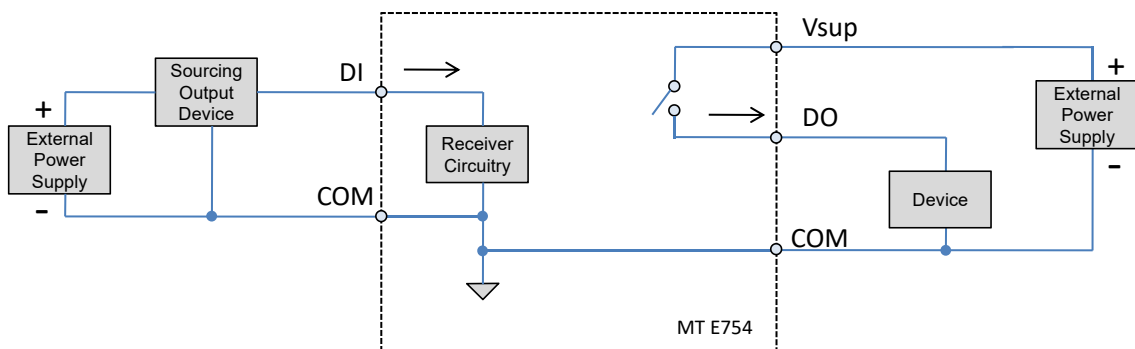


MT-E754 Connectivity

Pin definition of DSUB connector and Spring Terminal connector.



Input/Output Circuitry



There are sixteen digital input channels and sixteen digital output channels. All channels are internally referenced to COM.

MT-E754 Specifications

The following specifications are typical for the range -40 °C to 70 °C unless otherwise noted.

All voltages are relative to COM unless otherwise noted.

Input/Output Characteristics

Number of channels	16 digital input and 16 digital output
--------------------	--

Digital Input

Input type	Sinking
------------	---------

Digital logic levels

OFF state

Input voltage	$\leq 5V$
---------------	-----------

Input current	$\leq 150\mu A$
---------------	-----------------

ON state

Input voltage	$\geq 10V$
---------------	------------

Input current	$\geq 330\mu A$
---------------	-----------------

Hysteresis

Input voltage	2V minimum
---------------	------------

Input current	60 μA minimum
---------------	--------------------

Input impedance	30 k Ω \pm 5%
-----------------	------------------------

Input voltage range	12V - 30V
---------------------	-----------

Update/transfer time	7 μs maximum
----------------------	-------------------

Digital Output

Output type	Sourcing
External power supply voltage range	12V DC to 40 V DC
Continuous output current(I),Per channel	1 A maximum
Output impedance(R)	0.07Ω maximum
Output voltage(V)	$V_{sup} - (I * R)$
Reversed-voltage protection	None
I/O protection voltage	30 VDC maximum
Maximum update rate	7 us maximum
Propagation delay	1us maximum

Support

MT-RIO上手指南:

<http://server.mangotree.cn:9900/WebFile/Downloads/上手指南/MT-RIO/>



RIO上手指南

MT-RIO视频教程:

<http://server.mangotree.cn:9900/WebFile/Downloads/视频教程/MT-RIO/>



RIO视频教程

MT-Master上手指南:

<http://server.mangotree.cn:9900/WebFile/Downloads/上手指南/MT-Master/>



Master上手指南

MT-Master视频教程:

<http://server.mangotree.cn:9900/WebFile/Downloads/视频教程/MT-Master/>



Master视频教程

Dimensions:(mm)

