

DataSheet

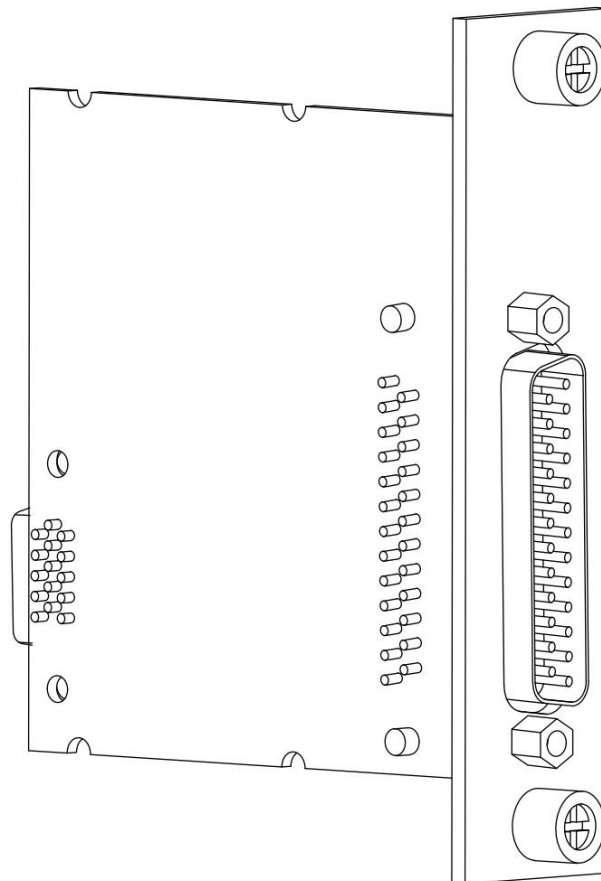
MT-E760

8 DI, 5V/TTL, 25 ns

This document contains the specifications for MT-E760. Specifications are typical at 25°C unless otherwise noted.

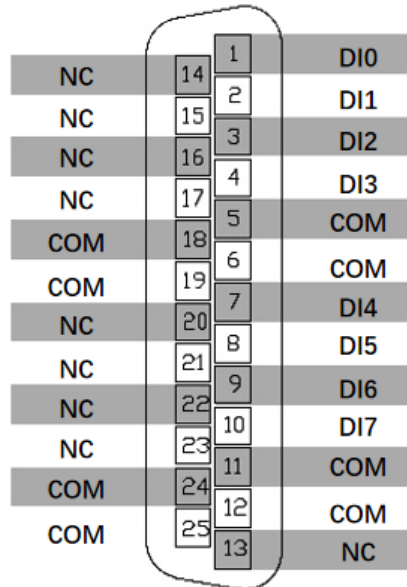


Caution Using the MT-E760 in a manner not described in this document may impair the protection the MT-E760 provides.

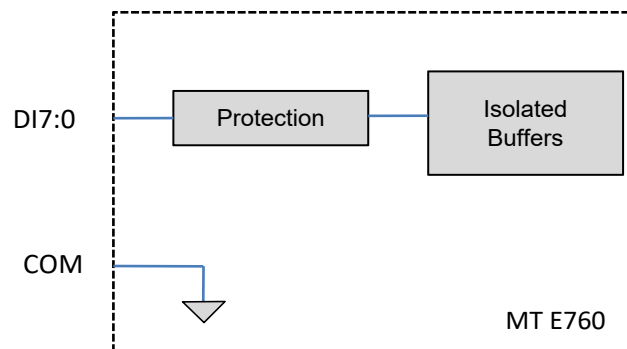


MT-E760 Connectivity

Pin definition of DSUB connector and Spring Terminal connector.



Input Circuitry



There are eight input channels of MT-E760. All channels are internally referenced to COM.

MT-E760 Specifications

The following specifications are typical for the range -40 °C to 70 °C unless otherwise noted.

All voltages are relative to COM unless otherwise noted.

Input Characteristics

Number of channels	8 DI channels
Input type	TTL, single-ended
Digital logic levels	
Input	
Voltage	5.23V maximum
High, V_{IH}	3.5V minimum
LOW, V_{IL}	1.5V maximum
Maximum signal switching frequency, per channel	
Input	20MHz
Input propagation delay	13 ns maximum
Input pulse width distortion	3ns
Input current per channel	$\pm 10\mu\text{A}$
Input capacitance	4pF
Overvoltage protection	$\pm 30\text{ V}$

Support

MT-RIO上手指南:

<http://server.mangotree.cn:9900/WebFile/Downloads/上手指南/MT-RIO/>



RIO上手指南

MT-RIO视频教程:

<http://server.mangotree.cn:9900/WebFile/Downloads/视频教程/MT-RIO/>



RIO视频教程

MT-Master上手指南:

<http://server.mangotree.cn:9900/WebFile/Downloads/上手指南/MT-Master/>



Master上手指南

MT-Master视频教程:

<http://server.mangotree.cn:9900/WebFile/Downloads/视频教程/MT-Master/>



Master视频教程

Dimensions:(mm)

