

DataSheet

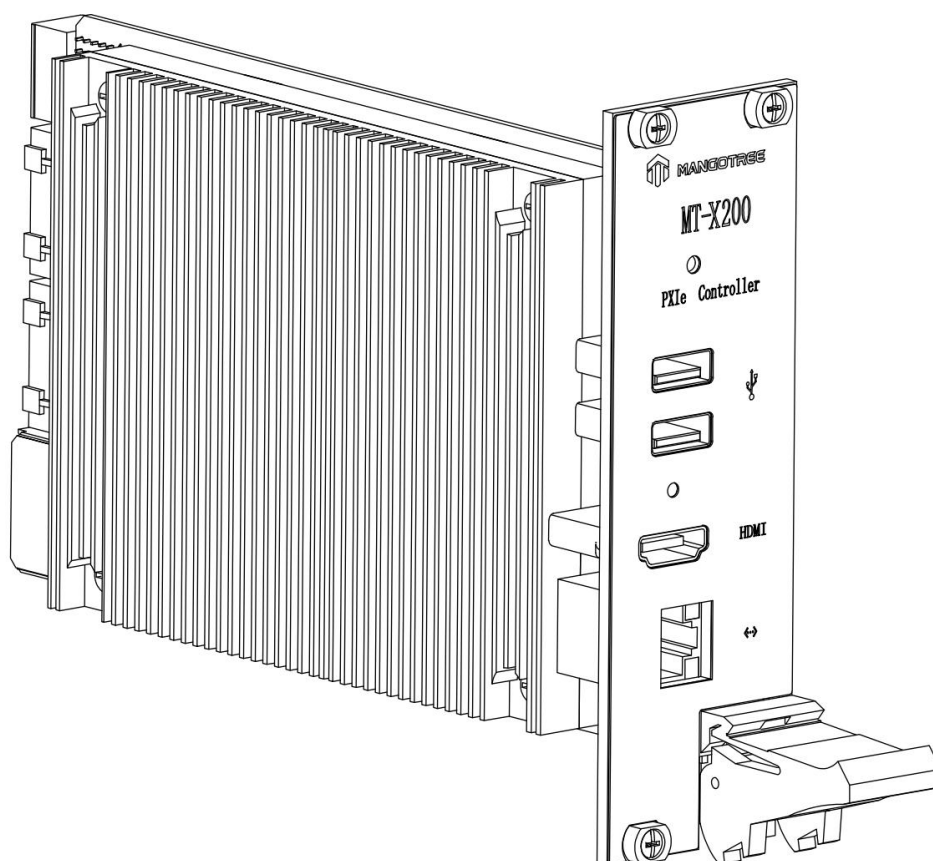
MT-X200

MT-X200 PXIe Quad-Core Embedded Controller

This document contains the specifications for MT-X200.



Caution Using the MT-X200 in a manner not described in this document may impair the protection the controller provides.



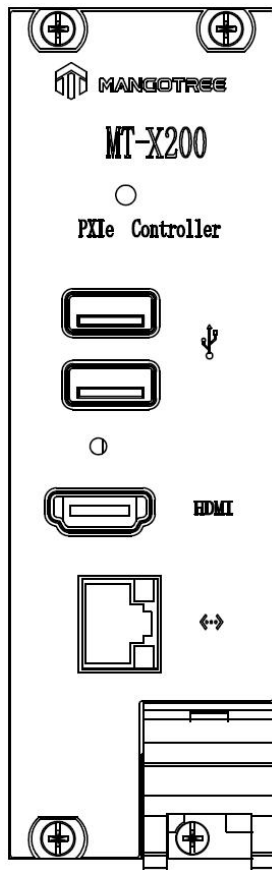
Features

MT-X200 PXIe Quad-Core	
CPU	Intel® Pentium® Silver J5040 Processor
Number of cores	4 Cores,4 Threads
Max Turbo Frequency	3.20 GHz
Cache	4MB
Memory	4G
Storage	M.2(Sata) 256GB
Ethernet	One 10/100 BaseT ports
PXI Express 4 Link Configuration	x1, x1, x1, x1
Video	1 HDMI Port
USB2.0	2
Installed Operating System	Linux RT or Window 10


Front Panel

The following figure shows the front panel layout of MT-X200 PXIe Controller.

Figure 1. MT-X200 PXIe Controller



Electrical

 **Note** Does not include any attached devices.

Voltage(V)	Current(Amps) Typical	Current(Amps) Maximum
+3.3 V	0.34 A	0.42 A
+5 V	0.54 A	0.73 A
+12V	1.10 A	1.50 A
+5 V _{Aux}	0.10 A	0.20A

Physical

Board dimensions	Two-wide 3U PXI Express module
Slot requirements	One system slot plus one controller expansion slot
Compatibility	Fully compatible with PXI Express Specification 1.0
Weight	421g typical

Shock and Vibration

To meet these specifications, you must panel mount the system.

Operating shock	30g peak, half-sine, 11ms
Random vibration	
Operating	0.3 g _{rms} , 5 Hz to 500 Hz
Nonoperating	2.4 g _{rms} , 5 Hz to 500 Hz

Environmental

Pollution Degree	2
Maximum altitude	2,000 m

Indoor use only.

Operating Environment

Ambient temperature range	5 °C to 50 °C
Extended temperature option	0 °C to 55 °C
Relative humidity range	10% to 90%, noncondensing

Storage Environment

Ambient temperature range	-40 °C to 65 °C
Extended temperature option	-40 °C to 71 °C
Relative humidity range	5% to 95%,noncondensing

Safety Voltages

This product is designed to meet the requirements of the following electrical equipment safety standards for measurement, control, and laboratory use:

- IEC 61010-1, EN 61010-1
- UL 61010-1, CSA C22.2 No. 61010-1

CE Compliance

This product meets the essential requirements of applicable European Directives, as follows:

- 2014/35/EU; Low-Voltage Directive (safety)
- 2014/30/EU; Electromagnetic Compatibility Directive (EMC)

Dimensions:(mm)

