

DataSheet

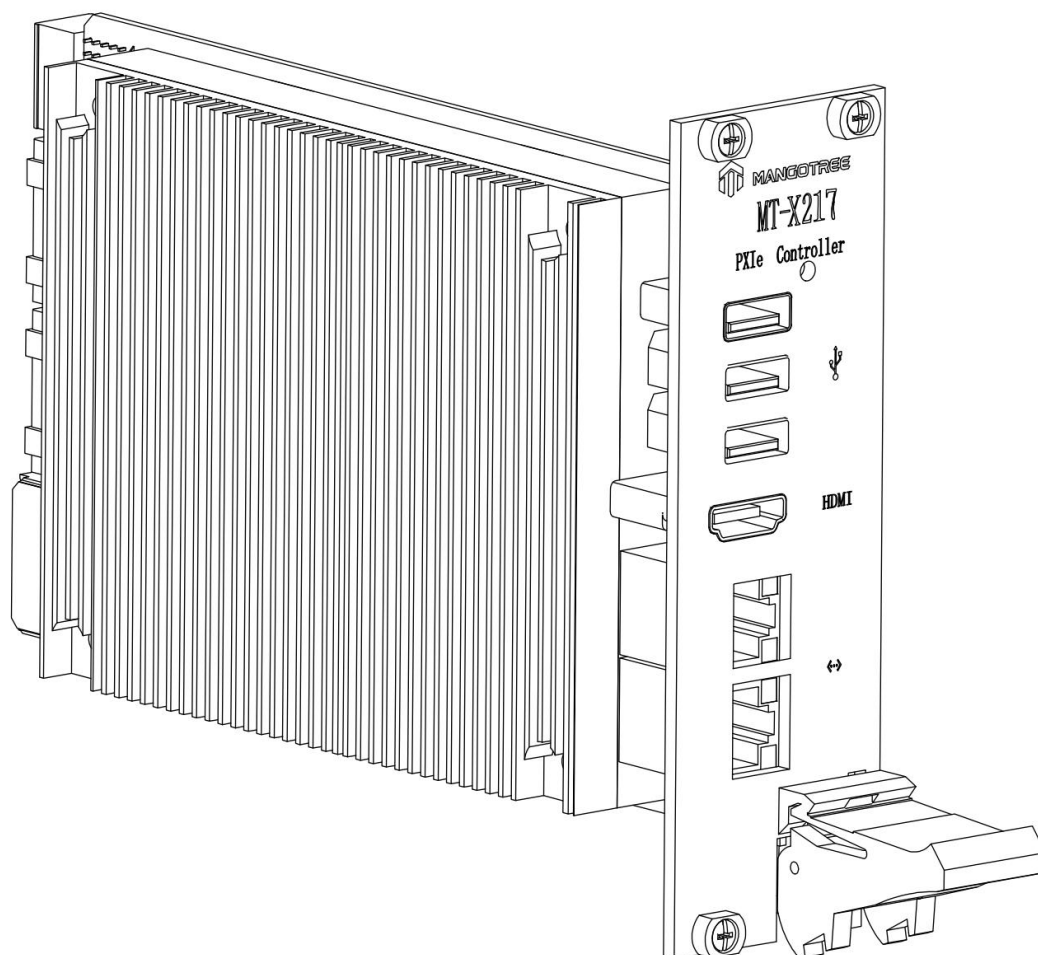
# MT-X217

## MT-X217 PXIe Quad-Core Embedded Controller

This document contains the specifications for MT-X217.



**Caution** Using the MT-X217 in a manner not described in this document may impair the protection the controller provides.



# Features

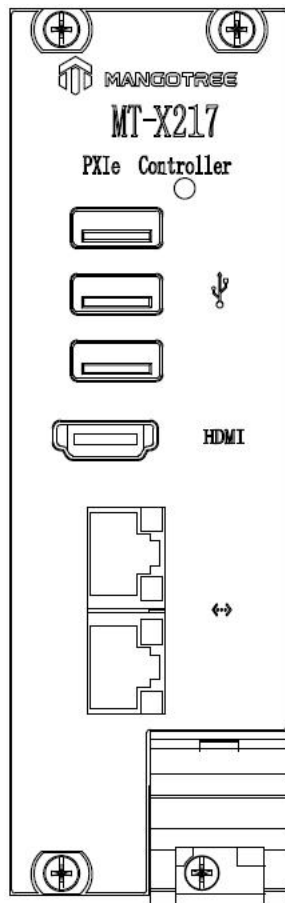
---

<b>MT-X217 PXIe Quad-Core</b>	
CPU	Intel® Core™ i7-10510U Processor
Number of cores	4 Cores,8 Threads
Max Turbo Frequency	4.90 GHz
Cache	8MB
Memory	16G
Storage	1TB M.2 NVME
Ethernet	Two 1000 BaseT ports
PXI Express 4 Link Configuration	x1, x1, x1, x1
Video	1 HDMI Port
USB2.0	1
USB3.0	2
Installed Operating System	Linux RT or Windows 10

# Front Panel

The following figure shows the front panel layout of MT-X217 PXIe Controller.

**Figure 1.** MT-X217 PXIe Controller



## Electrical



**Note** Does not include any attached devices.

Voltage(V)	Current(Amps) Typical	Current(Amps) Maximum
+3.3 V	0.97 A	1.82 A
+5 V	1.53 A	2.43 A
+12V	2.24 A	3.84 A
+5 V <sub>Aux</sub>	0.20 A	0.41A

## Physical

---

Board dimensions	Two-wide 3U PXI Express module
Slot requirements	One system slot plus one controller expansion slot
Compatibility	Fully compatible with PXI Express Specification 1.0
Weight	421g typical

---

## Shock and Vibration

---

To meet these specifications, you must panel mount the system.

Operating shock	30g peak, half-sine, 11ms
Random vibration	
Operating	0.3 g <sub>rms</sub> , 5 Hz to 500 Hz
Nonoperating	2.4 g <sub>rms</sub> , 5 Hz to 500 Hz

---

## Environmental

---

Pollution Degree	2
Maximum altitude	2,000 m

---

Indoor use only.

## Operating Environment

---

Ambient temperature range	5 °C to 50 °C
Extended temperature option	0 °C to 55 °C
Relative humidity range	10% to 90%, noncondensing

---

## Storage Environment

---

Ambient temperature range	-40 °C to 65 °C
Extended temperature option	-40 °C to 71 °C
Relative humidity range	5% to 95%,noncondensing

---

## Safety Voltages

This product is designed to meet the requirements of the following electrical equipment safety standards for measurement, control, and laboratory use:

- IEC 61010-1, EN 61010-1
- UL 61010-1, CSA C22.2 No. 61010-1

## CE Compliance

This product meets the essential requirements of applicable European Directives, as follows:

- 2014/35/EU; Low-Voltage Directive (safety)
- 2014/30/EU; Electromagnetic Compatibility Directive (EMC)

# Dimensions:(mm)

