

DataSheet

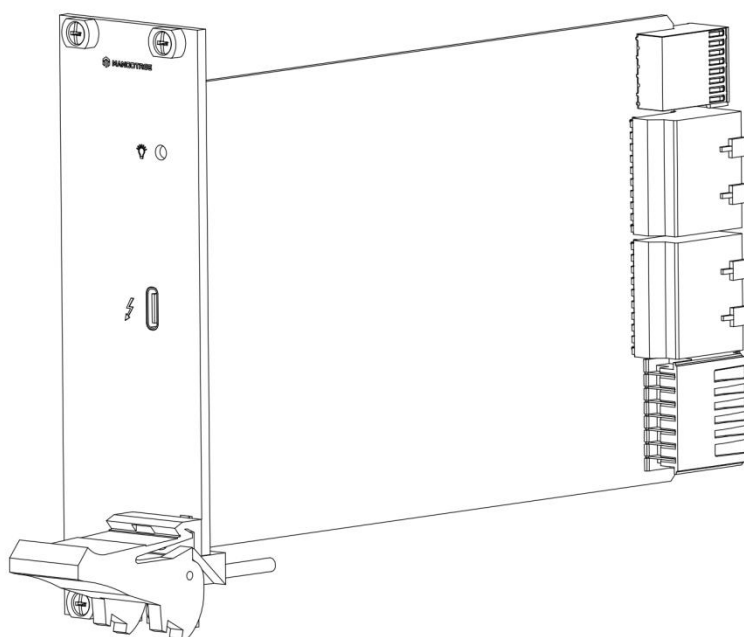
# MT-X290

## MT-X290 PXIe Thunderbolt 3 Controller

The MT-X290 needs to be used with a computer with a Thunderbolt 3 connector via a Thunderbolt cable. The MT-X290 access location is the controller slot 1 of the PXIe chassis.



**Caution** Using the MT-X290 in a manner not described in this document may impair the protection the controller provides.



# Dimensions:(mm)

