

DataSheet

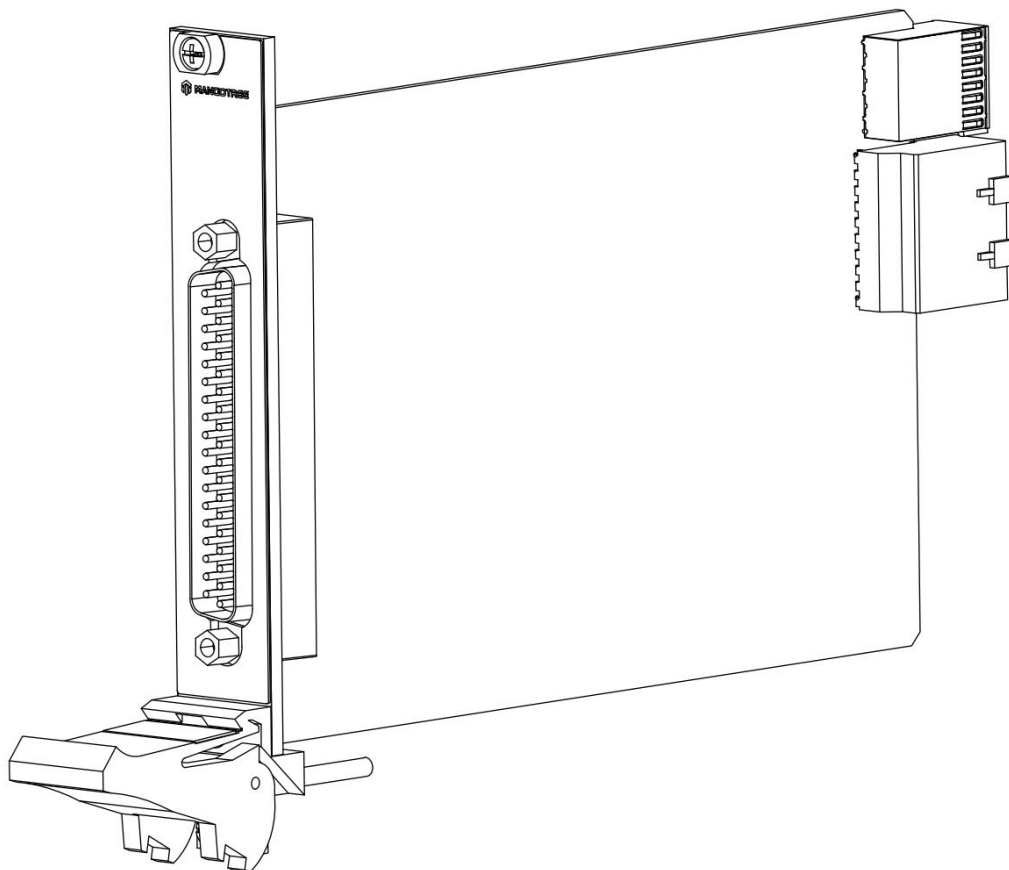
MT-X576

24V, 32-Channel (Sinking Input), 10 us

This document contains the specifications for MT-X576. Specifications are typical at 25°C unless otherwise noted.



Caution Using the MT-X576 in a manner not described in this document may impair the protection the MT-X576 provides.

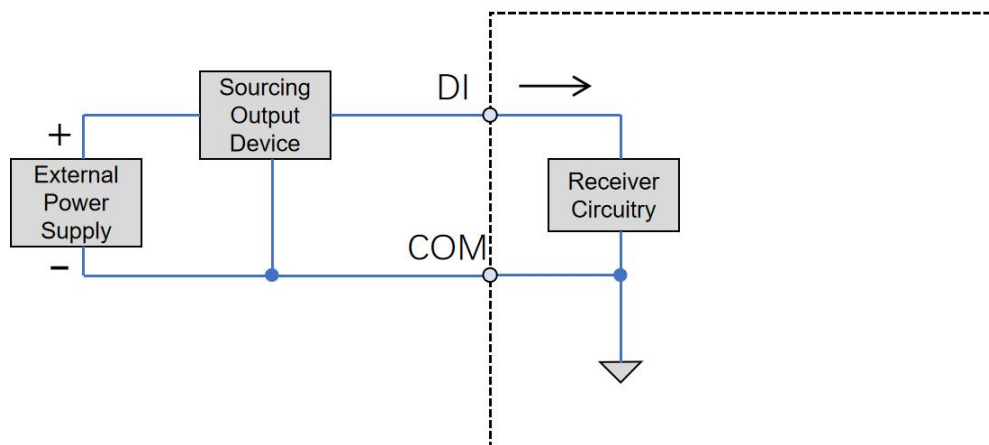


MT-X576 Connectivity

Pin definition of DSUB connector.

DI16	20	1	DI0
DI17	21	2	DI1
DI18	22	3	DI2
DI19	23	4	DI3
DI20	24	5	DI4
DI21	25	6	DI5
DI22	26	7	DI6
DI23	27	8	DI7
COM	28	9	COM
COM	29	10	COM
DI24	30	11	DI8
DI25	31	12	DI9
DI26	32	13	DI10
DI27	33	14	DI11
DI28	34	15	DI12
DI29	35	16	DI13
DI30	36	17	DI14
DI31	37	18	DI15
		19	NC

Input Circuitry



There are thirty two digital input channels. All channels are internally referenced to COM.

MT-X576 Specifications

The following specifications are typical for the range -40 °C to 70 °C unless otherwise noted.

All voltages are relative to COM unless otherwise noted.

Input Characteristics

Number of channels	32 digital input channels
Input type	Sinking
Digital logic levels	
OFF state	
Input voltage	$\leq 5V$
Input current	$\leq 150\mu A$
ON state	
Input voltage	$\geq 10V$
Input current	$\geq 330\mu A$
Hysteresis	
Input voltage	2V minimum
Input current	60 μA minimum
Input impedance	30 k Ω \pm 5%
I/O protection	
Input voltage	
8 channels	60 V DC maximum
16 channels	30 V DC maximum
Reverse-biased voltage	
8 channels	-60 V DC maximum
16 channels	-30 V DC maximum
Update/transfer time	10 μs maximum

Safety Voltages

This product is designed to meet the requirements of the following electrical equipment safety standards for measurement, control, and laboratory use:

- IEC 61010-1, EN 61010-1
- UL 61010-1, CSA C22.2 No. 61010-1

CE Compliance

This product meets the essential requirements of applicable European Directives, as follows:

- 2014/35/EU; Low-Voltage Directive (safety)
- 2014/30/EU; Electromagnetic Compatibility Directive (EMC)
- 2014/34/EU; Potentially Explosive Atmospheres (ATEX)

Shock and Vibration

To meet these specifications, you must panel mount the system.

Operating vibration

Random (IEC 60068-2-64)	5 g _{rms} , 10 Hz to 500 Hz
Sinusoidal (IEC 60068-2-6)	5 g, 10 Hz to 500 Hz
Operating shock (IEC 60068-2-27)	30 g, 11 ms half sine; 50 g, 3 ms half sine; 18 shocks at 6 orientations

Environmental

Refer to the manual for the chassis you are using for more information about meeting these specifications.

Operating temperature	-40 °C to 70 °C (IEC 60068-2-1, IEC 60068-2-2)
Storage temperature	-40 °C to 85 °C (IEC 60068-2-1, IEC 60068-2-2)
Ingress protection	IP40
Operating humidity (IEC 60068-2-78)	10% RH to 90% RH, noncondensing Storage
humidity (IEC 60068-2-78)	5% RH to 95% RH, noncondensing Pollution
Degree	2
Maximum altitude	4,000 m

Indoor use only.

Config文本

MT-DAQ设备的开发和使用依赖于Config配置文本，只有正确配置该文本，才能保证设备的正常运行。不同型号的设备或板卡对应的配置参数是不同的。Python、LabVIEW和C#三种编程语言的Config配置文本完全相同。

通用Config配置文本通过MT-Master软件主页导出获得，用户可以根据实际设备或板卡的参数对配置文本进行修改配置，或者按照文本默认参数配置运行。

Config配置文本中的各项参数含义及其具体配置可以参考MT-DAQ上手指南，指南链接附于下文Support板块。

使用MT产品过程中如有任何疑问，可以通过访问官网：<http://www.mangotree.cn>联系专业客服咨询。



MangoTree官网

Support

MT-Master上手指南:

<https://server.mangotree.cn:9900/WebFile/Downloads/上手指南/MT-Master/>



Master上手指南

MT-Master视频教程:

<https://server.mangotree.cn:9900/WebFile/Downloads/视频教程/MT-Master/>



Master视频教程

MT-DAQ上手指南:

<https://server.mangotree.cn:9900/WebFile/Downloads/上手指南/MT-DAQ/>



DAQ上手指南

MT-DAQ视频教程:

<https://server.mangotree.cn:9900/WebFile/Downloads/视频教程/MT-DAQ/>



DAQ视频教程