

DataSheet

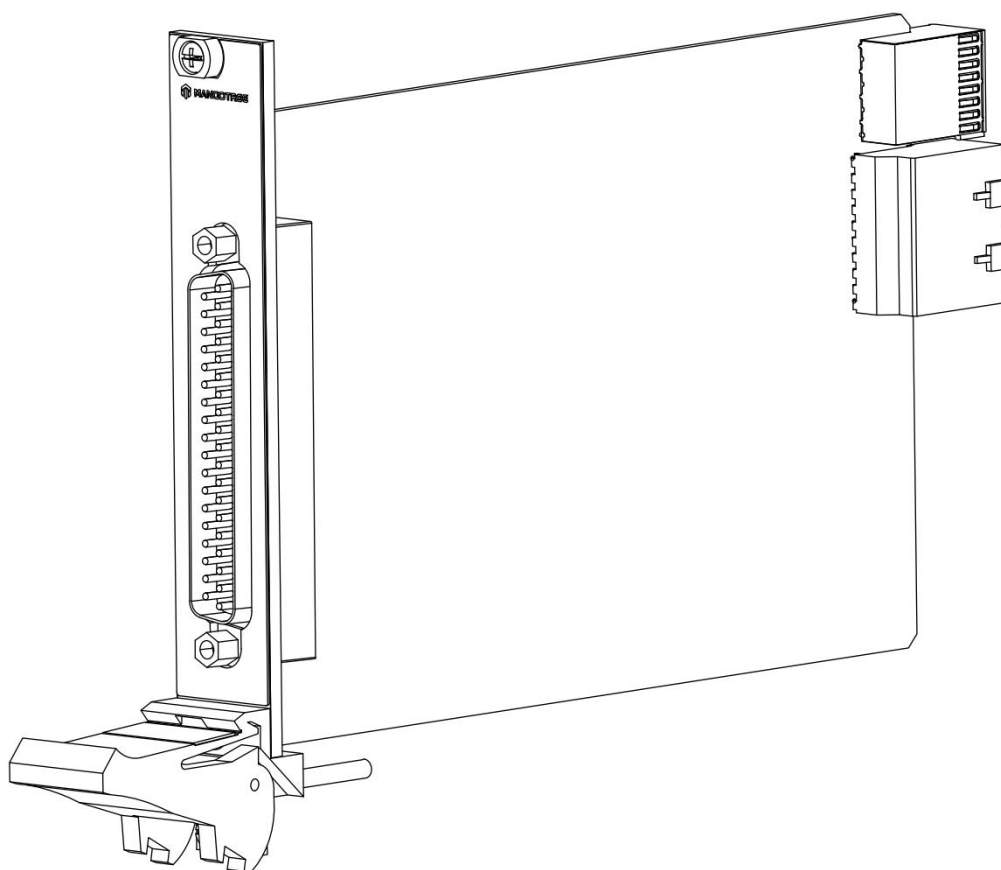
MT-X577

24 V, 32-Channels(Sinking Output), 20us

This document contains the specifications for MT-X577.Specifications are typical at 25°C unless otherwise noted.



Caution Using the MT-X577 in a manner not described in this document may impair the protection the MT-X577 provides.

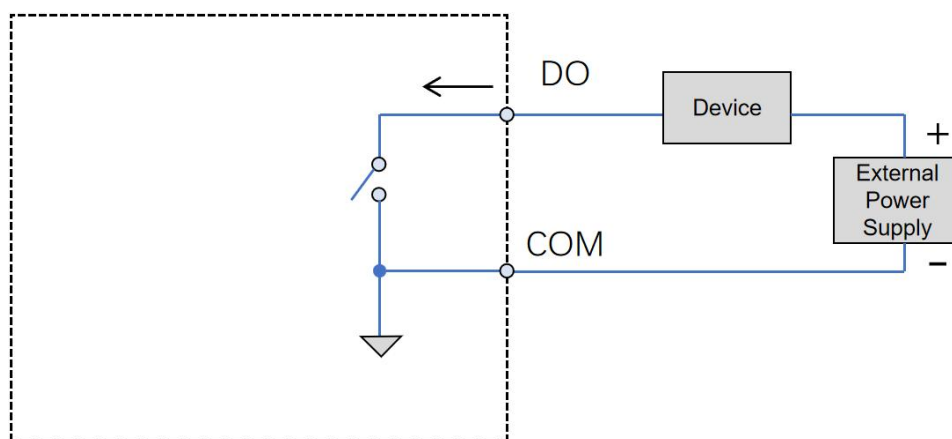


MT-X577 Connectivity

Pin definition of DSUB connector.

DO16	20	1	DO00
DO17	21	2	DO01
DO18	22	3	DO02
DO19	23	4	DO03
DO20	24	5	DO04
DO21	25	6	DO05
DO22	26	7	DO06
DO23	27	8	DO07
COM	28	9	COM
COM	29	10	COM
DO24	30	11	DO08
DO25	31	12	DO09
DO26	32	13	DO10
DO27	33	14	DO11
DO28	34	15	DO12
DO29	35	16	DO13
DO30	36	17	DO14
DO31	37	18	DO15
		19	NC

Output Circuitry



There are thirty two digital output channels. All channels are internally referenced to COM.

MT-X577 Specifications

The following specifications are typical for the range -40 °C to 70 °C unless otherwise noted.

All voltages are relative to COM unless otherwise noted.

Output Characteristics

Number of channels	32 digital output channels
Output type	Sinking
Output voltage(V)	$I * R$
External power supply voltage range	0V DC to 30V DC
Continuous output current(I)	
Per channel	1 A maximum, on up to 32 channels
Module(sum of all channels)	32 A maximum
Output impedance(R)	0.065Ω maximum
Reversed-voltage protection	None
Short-circuit protection	None
Maximum update rate	20 us maximum
Propagation delay	1us maximum

Safety Voltages

This product is designed to meet the requirements of the following electrical equipment safety standards for measurement, control, and laboratory use:

- IEC 61010-1, EN 61010-1
- UL 61010-1, CSA C22.2 No. 61010-1

CE Compliance

This product meets the essential requirements of applicable European Directives, as follows:

- 2014/35/EU; Low-Voltage Directive (safety)
- 2014/30/EU; Electromagnetic Compatibility Directive (EMC)
- 2014/34/EU; Potentially Explosive Atmospheres (ATEX)

Shock and Vibration

To meet these specifications, you must panel mount the system.

Operating vibration

Random (IEC 60068-2-64)	5 g _{rms} , 10 Hz to 500 Hz
Sinusoidal (IEC 60068-2-6)	5 g, 10 Hz to 500 Hz
Operating shock (IEC 60068-2-27)	30 g, 11 ms half sine; 50 g, 3 ms half sine; 18 shocks at 6 orientations

Environmental

Refer to the manual for the chassis you are using for more information about meeting these specifications.

Operating temperature	-40 °C to 70 °C (IEC 60068-2-1, IEC 60068-2-2)
Storage temperature	-40 °C to 85 °C (IEC 60068-2-1, IEC 60068-2-2)
Ingress protection	IP40
Operating humidity (IEC 60068-2-78)	10% RH to 90% RH, noncondensing Storage
humidity (IEC 60068-2-78)	5% RH to 95% RH, noncondensing Pollution
Degree	2
Maximum altitude	4,000 m

Indoor use only.

Config文本

MT-DAQ设备的开发和使用依赖于Config配置文本，只有正确配置该文本，才能保证设备的正常运行。不同型号的设备或板卡对应的配置参数是不同的。Python、LabVIEW和C#三种编程语言的Config配置文本完全相同。

通用Config配置文本通过MT-Master软件主页导出获得，用户可以根据实际设备或板卡的参数对配置文本进行修改配置，或者按照文本默认参数配置运行。

Config配置文本中的各项参数含义及其具体配置可以参考MT-DAQ上手指南，指南链接附于下文Support板块。

使用MT产品过程中如有任何疑问，可以通过访问官网：<http://www.mangotree.cn>联系专业客服咨询。



MangoTree官网

Support

MT-Master上手指南:

<https://server.mangotree.cn:9900/WebFile/Downloads/上手指南/MT-Master/>



Master上手指南

MT-Master视频教程:

<https://server.mangotree.cn:9900/WebFile/Downloads/视频教程/MT-Master/>



Master视频教程

MT-DAQ上手指南:

<https://server.mangotree.cn:9900/WebFile/Downloads/上手指南/MT-DAQ/>



DAQ上手指南

MT-DAQ视频教程:

<https://server.mangotree.cn:9900/WebFile/Downloads/视频教程/MT-DAQ/>



DAQ视频教程