

DataSheet

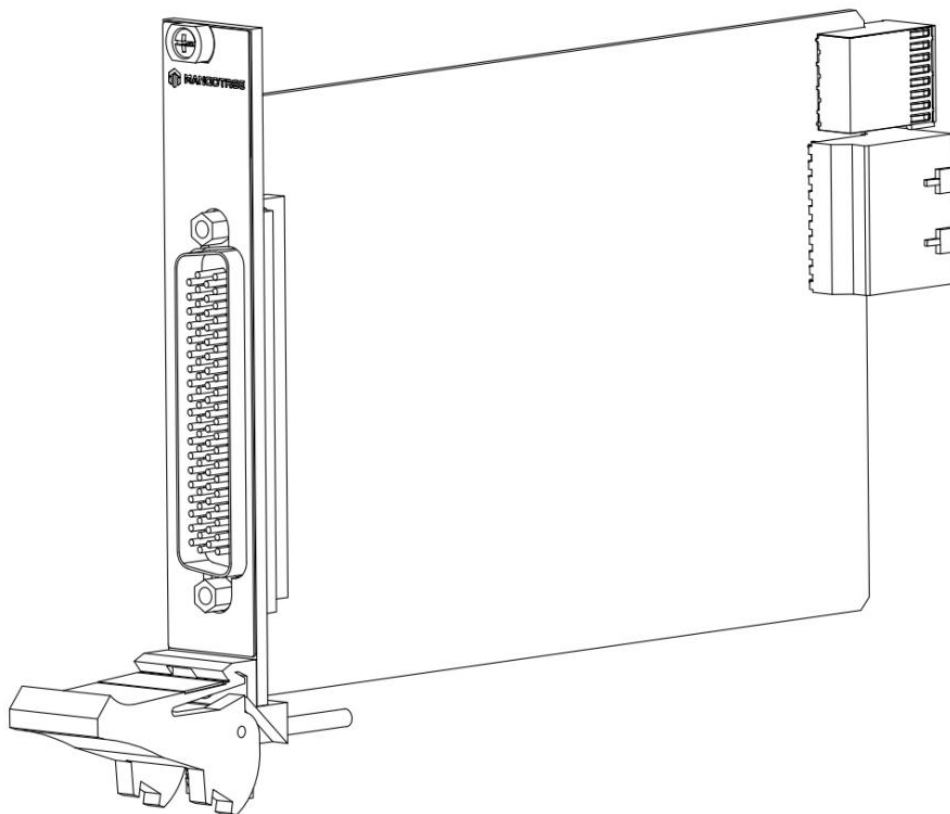
MT-X720

Multiplexer module, 1-wire, 32×1, 250VAC/220VDC, 2A

This document contains the specifications for MT-X720. Specifications are typical at 25°C unless otherwise noted.

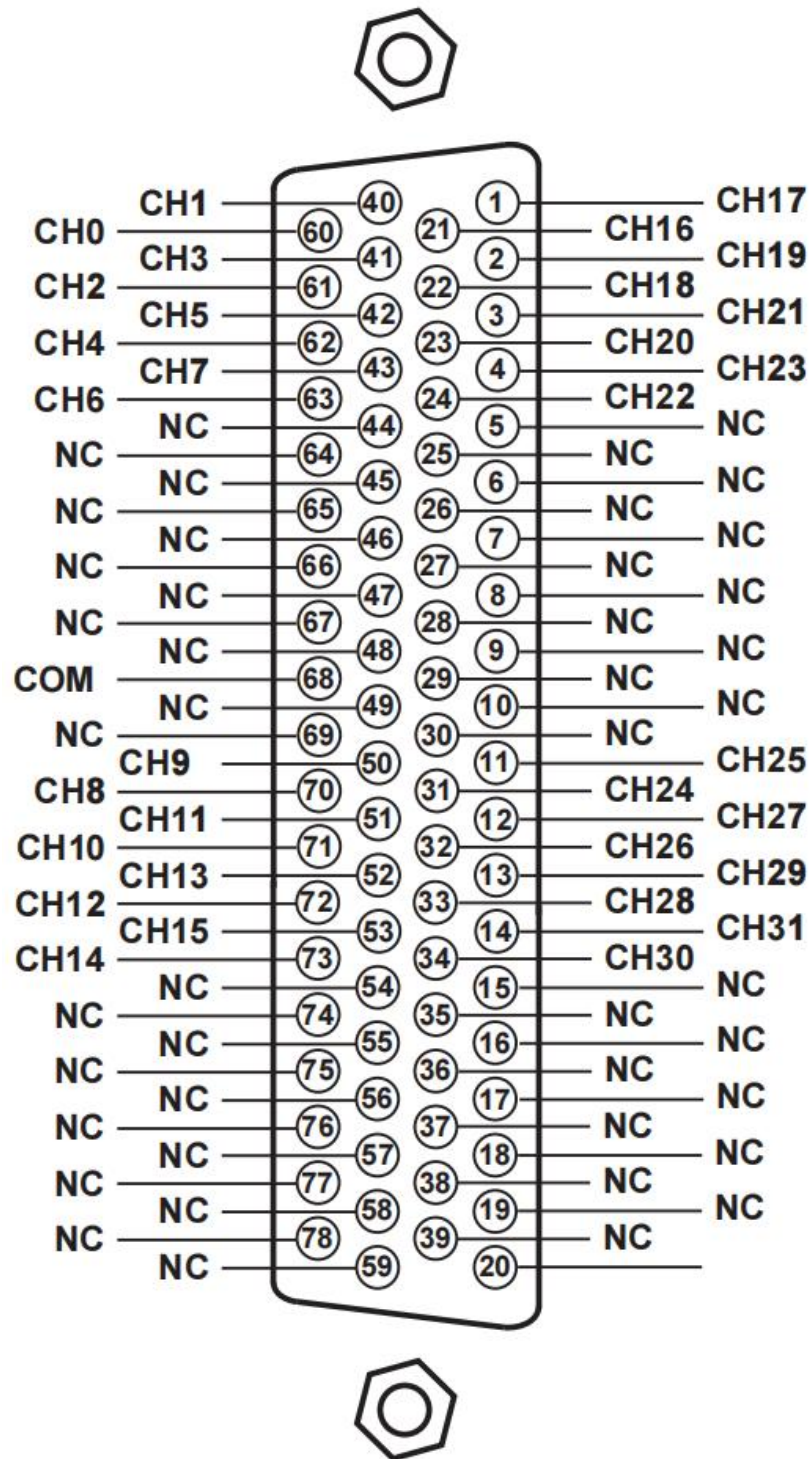


Caution Using the MT-X720 in a manner not described in this document may impair the protection the MT-X720 provides.

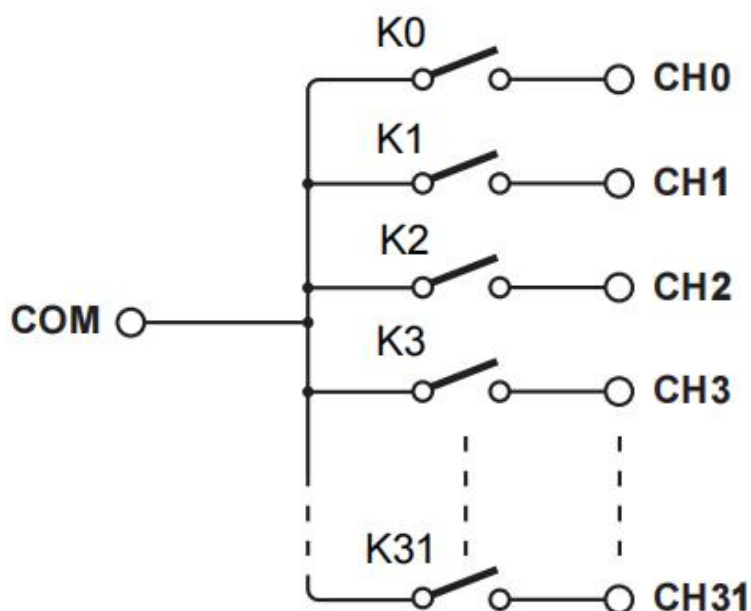


MT-X720 Connectivity

Pin definition of DSUB connector.



Hardware Diagram



MT-X720 Specifications

Specifications are valid at 23 °C unless otherwise noted.

Input Characteristics

| | |
|---------------------------------------|------------------|
| Number of channels | 32 |
| Topology | 1-wire, 32 × 1 |
| Maximum switching voltage | 220V DC, 250V AC |
| Maximum switching power (per channel) | |
| AC | 62.5 VA |
| DC (30 V to 220 V) | 60 W |
| Maximum current (per channel) | 2 A |
| DC path resistance | |
| Initial | <0.8 Ω |
| End-of-life | ≥1.8 Ω |

| | |
|--------------------|------|
| Relay operate time | |
| Typical | 3 ms |
| Maximum | 6 ms |

Safety Voltages

This product is designed to meet the requirements of the following electrical equipment safety standards for measurement, control, and laboratory use:

- IEC 61010-1, EN 61010-1
- UL 61010-1, CSA C22.2 No. 61010-1

CE Compliance

This product meets the essential requirements of applicable European Directives, as follows:

- 2014/35/EU; Low-Voltage Directive (safety)
- 2014/30/EU; Electromagnetic Compatibility Directive (EMC)
- 2014/34/EU; Potentially Explosive Atmospheres (ATEX)

Shock and Vibration

To meet these specifications, you must panel mount the system.

| | |
|----------------------------------|--------------------------------------|
| Random vibration | |
| Operating (IEC 60068-2-64) | 0.3g _{rms} , 5 Hz to 500 Hz |
| Nonoperating (IEC 60068-2-6) | 2.4g _{rms} , 5 Hz to 500 Hz |
| Operating shock (IEC 60068-2-27) | 30 g, 11 ms half sine; |

Environmental

Refer to the manual for the chassis you are using for more information about meeting these specifications.

| | |
|-------------------------------------|--|
| Operating temperature | 0 °C to 55 °C |
| Storage temperature | -20°C to 70 °C |
| Operating humidity (IEC 60068-2-78) | 10% RH to 90% RH, noncondensing |
| Storage humidity (IEC 60068-2-78) | 5% RH to 95% RH, noncondensing Pollution |
| Degree | 2 |
| Maximum altitude | 2,000 m |

Config文本

MT-DAQ设备的开发和使用依赖于Config配置文本，只有正确配置该文本，才能保证设备的正常运行。不同型号的设备或板卡对应的配置参数是不同的。Python、LabVIEW和C#三种编程语言的Config配置文本完全相同。

通用Config配置文本通过MT-Master软件主页导出获得，用户可以根据实际设备或板卡的参数对配置文本进行修改配置，或者按照文本默认参数配置运行。

Config配置文本中的各项参数含义及其具体配置可以参考MT-DAQ上手指南，指南链接附于下文Support板块。

使用MT产品过程中如有任何疑问，可以通过访问官网：<http://www.mangotree.cn>联系专业客服咨询。



MangoTree官网

Support

MT-Master上手指南:

<http://server.mangotree.cn:9900/WebFile/Downloads/上手指南/MT-Master/>



Master上手指南

MT-Master视频教程:

<http://server.mangotree.cn:9900/WebFile/Downloads/视频教程/MT-Master/>



Master视频教程

MT-DAQ上手指南:

<http://server.mangotree.cn:9900/WebFile/Downloads/上手指南/MT-DAQ/>



DAQ上手指南

MT-DAQ视频教程:

<http://server.mangotree.cn:9900/WebFile/Downloads/视频教程/MT-DAQ/>



DAQ视频教程

