

## DataSheet

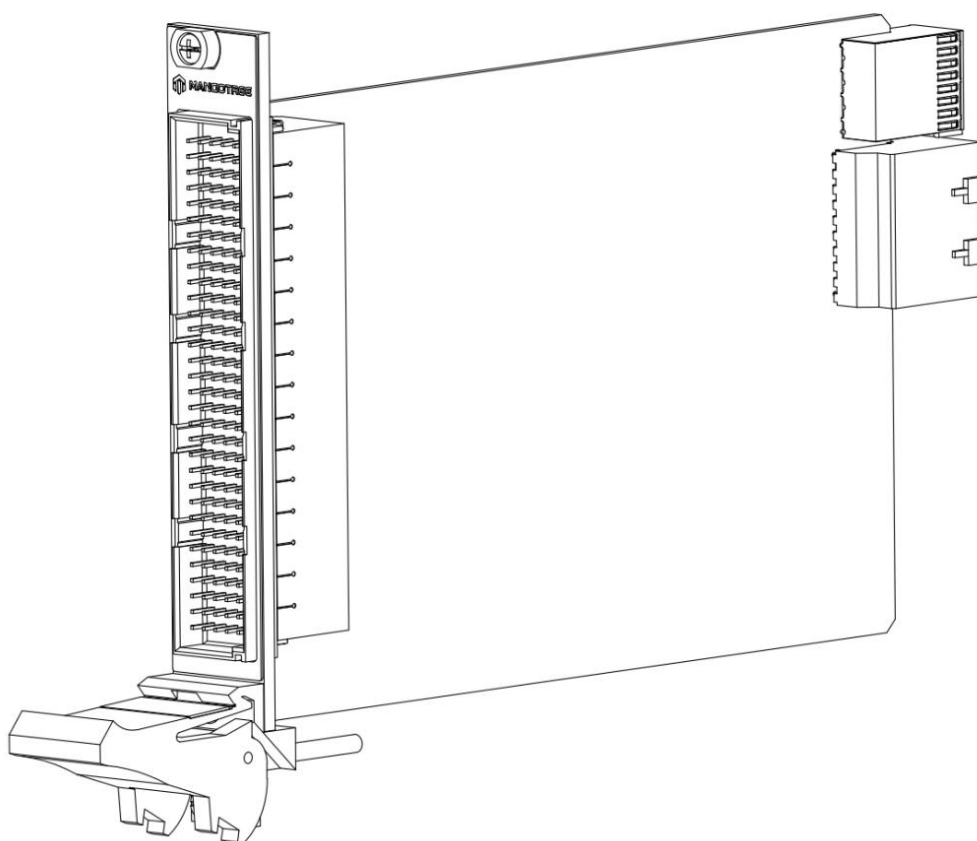
# MT-X731

Multiplexer module, 2-wire, 64×1, 250VAC/220VDC, 2A

This document contains the specifications for MT-X731. Specifications are typical at 25°C unless otherwise noted.

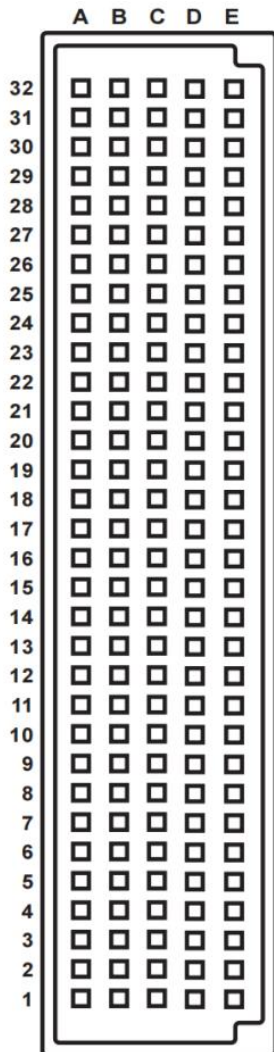


**Caution** Using the MT-X731 in a manner not described in this document may impair the protection the MT-X731 provides.



# MT-X731 Connectivity

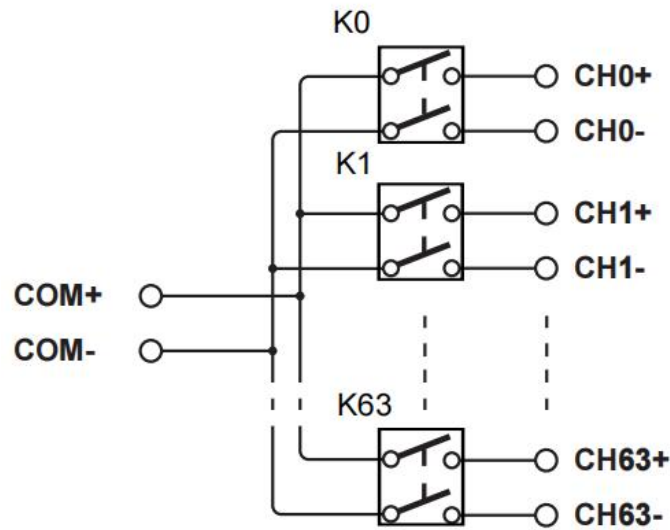
Pin definition of DSUB connector.



	A	B	C	D	E
32	COM+	CH0+	CH0-	CH1+	CH1-
31	COM-	CH2+	CH2-	CH3+	CH3-
30	--	CH4+	CH4-	CH5+	CH5-
29	--	CH6+	CH6-	CH7+	CH7-
28	--	CH8+	CH8-	CH9+	CH9-
27	--	CH10+	CH10-	CH11+	CH11-
26	--	CH12+	CH12-	CH13+	CH13-
25	--	CH14+	CH14-	CH15+	CH15-
24	--	CH16+	CH16-	CH17+	CH17-
23	--	CH18+	CH18-	CH19+	CH19-
22	--	CH20+	CH20-	CH21+	CH21-
21	--	CH22+	CH22-	CH23+	CH23-
20	--	CH24+	CH24-	CH25+	CH25-
19	--	CH26+	CH26-	CH27+	CH27-
18	--	CH28+	CH28-	CH29+	CH29-
17	--	CH30+	CH30-	CH31+	CH31-
16	--	CH32+	CH32-	CH33+	CH33-
15	--	CH34+	CH34-	CH35+	CH35-
14	--	CH36+	CH36-	CH37+	CH37-
13	--	CH38+	CH38-	CH39+	CH39-
12	--	CH40+	CH40-	CH41+	CH41-
11	--	CH42+	CH42-	CH43+	CH43-
10	--	CH44+	CH44-	CH45+	CH45-
9	--	CH46+	CH46-	CH47+	CH47-
8	--	CH48+	CH48-	CH49+	CH49-
7	--	CH50+	CH50-	CH51+	CH51-
6	--	CH52+	CH52-	CH53+	CH53-
5	--	CH54+	CH54-	CH55+	CH55-
4	--	CH56+	CH56-	CH57+	CH57-
3	--	CH58+	CH58-	CH59+	CH59-
2	--	CH60+	CH60-	CH61+	CH61-
1	--	CH62+	CH62-	CH63+	CH63-

# Hardware Diagram

---



## MT-X731 Specifications

---

Specifications are valid at 23 °C unless otherwise noted.

### Input Characteristics

Number of channels	64
Topology	2-wire, 64 × 1
Maximum switching voltage	220V DC, 250V AC
Maximum switching power (per channel)	
AC	62.5 VA
DC (30 V to 220 V)	60 W
Maximum current (per channel)	2 A
DC path resistance	
Initial	<0.8 Ω
End-of-life	≥1.8 Ω
Relay operate time	
Typical	3 ms

---

Maximum

6 ms

---

## Safety Voltages

This product is designed to meet the requirements of the following electrical equipment safety standards for measurement, control, and laboratory use:

- IEC 61010-1, EN 61010-1
- UL 61010-1, CSA C22.2 No. 61010-1

## CE Compliance

This product meets the essential requirements of applicable European Directives, as follows:

- 2014/35/EU; Low-Voltage Directive (safety)
- 2014/30/EU; Electromagnetic Compatibility Directive (EMC)
- 2014/34/EU; Potentially Explosive Atmospheres (ATEX)

## Shock and Vibration

To meet these specifications, you must panel mount the system.

---

### Random vibration

---

Operating (IEC 60068-2-64)	0.3g <sub>rms</sub> , 5 Hz to 500 Hz
----------------------------	--------------------------------------

---

Nonoperating (IEC 60068-2-6)	2.4g <sub>rms</sub> , 5 Hz to 500 Hz
------------------------------	--------------------------------------

---

Operating shock (IEC 60068-2-27)	30 g, 11 ms half sine;
----------------------------------	------------------------

---

# Environmental

Refer to the manual for the chassis you are using for more information about meeting these specifications.

Operating temperature	0 °C to 55 °C
Storage temperature	-20°C to 70 °C
Operating humidity (IEC 60068-2-78)	10% RH to 90% RH, noncondensing
Storage humidity (IEC 60068-2-78)	5% RH to 95% RH, noncondensing Pollution
Degree	2
Maximum altitude	2,000 m

## Config文本

MT-DAQ设备的开发和使用依赖于Config配置文本，只有正确配置该文本，才能保证设备的正常运行。不同型号的设备或板卡对应的配置参数是不同的。Python、LabVIEW和C#三种编程语言的Config配置文本完全相同。

通用Config配置文本通过MT-Master软件主页导出获得，用户可以根据实际设备或板卡的参数对配置文本进行修改配置，或者按照文本默认参数配置运行。

Config配置文本中的各项参数含义及其具体配置可以参考MT-DAQ上手指南，指南链接附于下文Support板块。

使用MT产品过程中如有任何疑问，可以通过访问官网：<http://www.mangotree.cn>联系专业客服咨询。



MangoTree官网

# Support

MT-Master上手指南:

<http://server.mangotree.cn:9900/WebFile/Downloads/上手指南/MT-Master/>



Master上手指南

MT-Master视频教程:

<http://server.mangotree.cn:9900/WebFile/Downloads/视频教程/MT-Master/>



Master视频教程

MT-DAQ上手指南:

<http://server.mangotree.cn:9900/WebFile/Downloads/上手指南/MT-DAQ/>



DAQ上手指南

MT-DAQ视频教程:

<http://server.mangotree.cn:9900/WebFile/Downloads/视频教程/MT-DAQ/>



DAQ视频教程

