

DataSheet

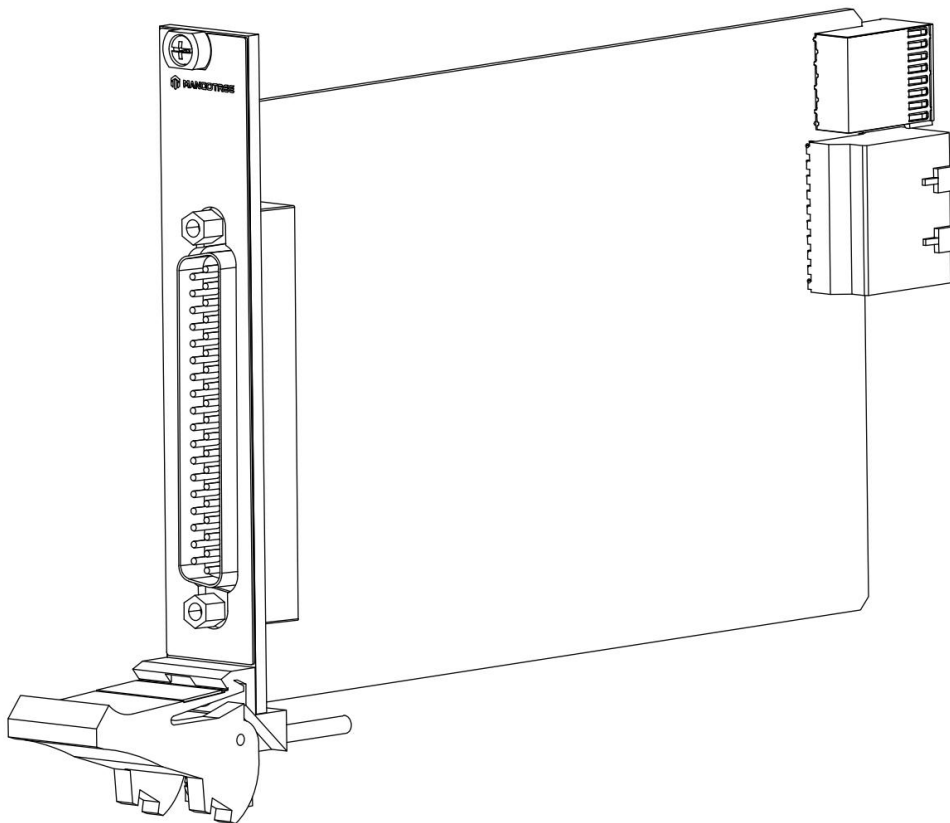
MT-X744

Matrix module, 1-wire, 4×24, 250VAC/220VDC, 2A

This document contains the specifications for MT-X744. Specifications are typical at 25°C unless otherwise noted.

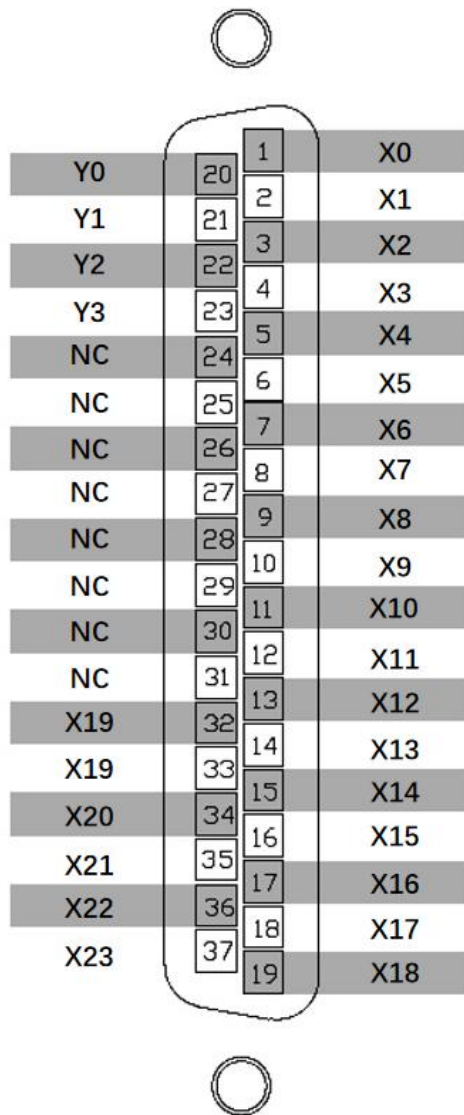


Caution Using the MT-X744 in a manner not described in this document may impair the protection the MT-X744 provides.

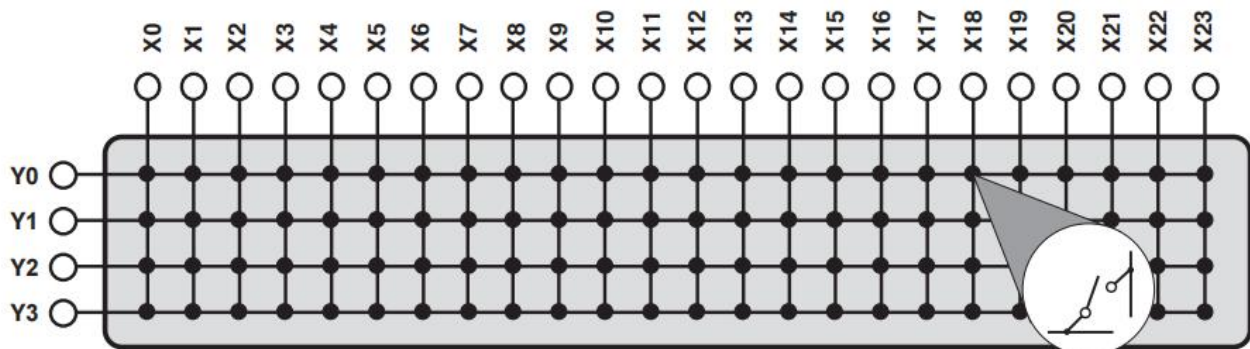


MT-X744 Connectivity

Pin definition of DSUB connector.



Hardware Diagram



NO.	Signal Path	Relay Number	NO.	Signal Path	Relay Number
1	Y0 to X0	K0	49	Y2 to X0	K48
2	Y0 to X1	K1	50	Y2 to X1	K49
3	Y0 to X2	K2	51	Y2 to X2	K50
4	Y0 to X3	K3	52	Y2 to X3	K51
5	Y0 to X4	K4	53	Y2 to X4	K52
6	Y0 to X5	K5	54	Y2 to X5	K53
7	Y0 to X6	K6	55	Y2 to X6	K54
8	Y0 to X7	K7	56	Y2 to X7	K55
9	Y0 to X8	K8	57	Y2 to X8	K56
10	Y0 to X9	K9	58	Y2 to X9	K57
11	Y0 to X10	K10	59	Y2 to X10	K58
12	Y0 to X11	K11	60	Y2 to X11	K59
13	Y0 to X12	K12	61	Y2 to X12	K60
14	Y0 to X13	K13	62	Y2 to X13	K61
15	Y0 to X14	K14	63	Y2 to X14	K62
16	Y0 to X15	K15	64	Y2 to X15	K63
17	Y0 to X16	K16	65	Y2 to X16	K64
18	Y0 to X17	K17	66	Y2 to X17	K65
19	Y0 to X18	K18	67	Y2 to X18	K66
20	Y0 to X19	K19	68	Y2 to X19	K67
21	Y0 to X20	K20	69	Y2 to X20	K68
22	Y0 to X21	K21	70	Y2 to X21	K69
23	Y0 to X22	K22	71	Y2 to X22	K70
24	Y0 to X23	K23	72	Y2 to X23	K71
25	Y1 to X0	K24	73	Y3 to X0	K72
26	Y1 to X1	K25	74	Y3 to X1	K73
27	Y1 to X2	K26	75	Y3 to X2	K74
28	Y1 to X3	K27	76	Y3 to X3	K75
29	Y1 to X4	K28	77	Y3 to X4	K76
30	Y1 to X5	K29	78	Y3 to X5	K77
31	Y1 to X6	K30	79	Y3 to X6	K78
32	Y1 to X7	K31	80	Y3 to X7	K79
33	Y1 to X8	K32	81	Y3 to X8	K80
34	Y1 to X9	K33	82	Y3 to X9	K81
35	Y1 to X10	K34	83	Y3 to X10	K82
36	Y1 to X11	K35	84	Y3 to X11	K83
37	Y1 to X12	K36	85	Y3 to X12	K84
38	Y1 to X13	K37	86	Y3 to X13	K85
39	Y1 to X14	K38	87	Y3 to X14	K86
40	Y1 to X15	K39	88	Y3 to X15	K87
41	Y1 to X16	K40	89	Y3 to X16	K88

42	Y1 to X17	K41	90	Y3 to X17	K89
43	Y1 to X18	K42	91	Y3 to X18	K90
44	Y1 to X19	K43	92	Y3 to X19	K91
45	Y1 to X20	K44	93	Y3 to X20	K92
46	Y1 to X21	K45	94	Y3 to X21	K93
47	Y1 to X22	K46	95	Y3 to X22	K94
48	Y1 to X23	K47	96	Y3 to X23	K95

MT-X744 Specifications

Specifications are valid at 23 °C unless otherwise noted.

Input Characteristics

Topology	1-wire, 4 × 24 matrix
Maximum switching voltage	220V DC, 250V AC
Maximum switching power (per channel)	
AC	62.5 VA
DC (30 V to 220 V)	60 W
Maximum current (per channel)	2 A
DC path resistance	
Initial	<0.8 Ω
End-of-life	≥1.8 Ω
Relay operate time	
Typical	3 ms
Maximum	6 ms

Safety Voltages

This product is designed to meet the requirements of the following electrical equipment safety standards for measurement, control, and laboratory use:

- IEC 61010-1, EN 61010-1
- UL 61010-1, CSA C22.2 No. 61010-1

CE Compliance

This product meets the essential requirements of applicable European Directives, as follows:

- 2014/35/EU; Low-Voltage Directive (safety)
- 2014/30/EU; Electromagnetic Compatibility Directive (EMC)
- 2014/34/EU; Potentially Explosive Atmospheres (ATEX)

Shock and Vibration

To meet these specifications, you must panel mount the system.

Random vibration

Operating (IEC 60068-2-64)	0.3 _g _{rms} , 5 Hz to 500 Hz
Nonoperating (IEC 60068-2-6)	2.4 _g _{rms} , 5 Hz to 500 Hz
Operating shock (IEC 60068-2-27)	30 g, 11 ms half sine;

Environmental

Refer to the manual for the chassis you are using for more information about meeting these specifications.

Operating temperature	0 °C to 55 °C
-----------------------	---------------

Storage temperature	-20°C to 70 °C
---------------------	----------------

Operating humidity (IEC 60068-2-78)	10% RH to 90% RH, noncondensing
-------------------------------------	---------------------------------

Storage humidity (IEC 60068-2-78)	5% RH to 95% RH, noncondensing Pollution
-----------------------------------	--

Degree	2
--------	---

Maximum altitude	2,000 m
------------------	---------

Config文本

MT-DAQ设备的开发和使用依赖于Config配置文本，只有正确配置该文本，才能保证设备的正常运行。不同型号的设备或板卡对应的配置参数是不同的。Python、LabVIEW和C#三种编程语言的Config配置文本完全相同。

通用Config配置文本通过MT-Master软件主页导出获得，用户可以根据实际设备或板卡的参数对配置文本进行修改配置，或者按照文本默认参数配置运行。

Config配置文本中的各项参数含义及其具体配置可以参考MT-DAQ上手指南，指南链接附于下文Support板块。

使用MT产品过程中如有任何疑问，可以通过访问官网：<http://www.mangotree.cn>联系专业客服咨询。



MangoTree官网

Support

MT-Master上手指南:

<http://server.mangotree.cn:9900/WebFile/Downloads/上手指南/MT-Master/>



Master上手指南

MT-Master视频教程:

<http://server.mangotree.cn:9900/WebFile/Downloads/视频教程/MT-Master/>



Master视频教程

MT-DAQ上手指南:

<http://server.mangotree.cn:9900/WebFile/Downloads/上手指南/MT-DAQ/>



DAQ上手指南

MT-DAQ视频教程:

<http://server.mangotree.cn:9900/WebFile/Downloads/视频教程/MT-DAQ/>



DAQ视频教程

