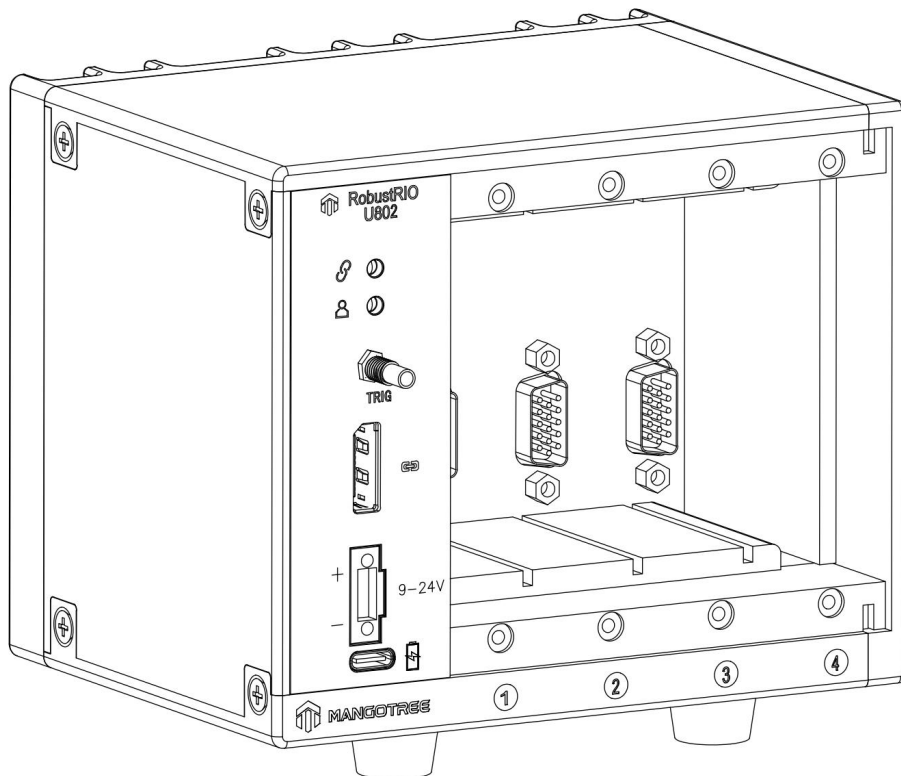


DataSheet

MT-U802

4-Slot Embedded RobustRIO Chassis with PCIe

The MT-U802 needs to be used with the MT-G291.



This document contains the specifications for MT-U802. Specifications are typical at 25°C unless otherwise noted.



Caution Using the MT-U802 in a manner not described in this document may impair the protection the MT-U802 provides.

Reconfigurable FPGA

| | |
|------------------------|----------------|
| FPGA type | Spartan-6 Lx75 |
| Number of flip-flops | 93,296 |
| Number of LUTs | 46,648 |
| Embedded Block RAM | 3,096 kbits |
| Number of DSP48 slices | 132 |

PXle Cable

User need to connect PC to MT-U802 with a PXle cable

DC Input

| | |
|----------------|--------|
| Screw-terminal | 9-24 V |
| PD Port | 12 V |

Physical Characteristics

| | |
|------------|--------------------------|
| Weight | 1.4 kg |
| Dimensions | see end of this document |

Safety Voltages

This product is designed to meet the requirements of the following electrical equipment safety standards for measurement, control, and laboratory use:

- IEC 61010-1, EN 61010-1
- UL 61010-1, CSA C22.2 No. 61010-1

CE Compliance

This product meets the essential requirements of applicable European Directives, as follows:

- 2014/35/EU; Low-Voltage Directive (safety)

- 2014/30/EU; Electromagnetic Compatibility Directive (EMC)
- 2014/34/EU; Potentially Explosive Atmospheres (ATEX)

Shock and Vibration

To meet these specifications, you must panel mount the system.

Operating vibration

| | |
|----------------------------------|---|
| Random (IEC 60068-2-64) | 5 g _{rms} , 10 Hz to 500 Hz |
| Sinusoidal (IEC 60068-2-6) | 5 g, 10 Hz to 500 Hz |
| Operating shock (IEC 60068-2-27) | 30 g, 11 ms half sine; 50 g, 3 ms half sine; 18 shocks at 6 orientations |

Environmental

Refer to the manual for the chassis you are using for more information about meeting these specifications.

| | |
|---|--|
| Operating temperature (IEC 60068-2-1, IEC 60068-2-2) | -40 °C to 70 °C |
| Storage temperature (IEC 60068-2-1, IEC 60068-2-2) | -40 °C to 85 °C |
| Ingress protection | IP40 |
| Operating humidity (IEC 60068-2-78) | 10% RH to 90% RH, noncondensing Storage |
| humidity (IEC 60068-2-78) | 5% RH to 95% RH, noncondensing Pollution |
| Degree | 2 |
| Maximum altitude | 4,000 m |

Indoor use only.

Support

MT-Master上手指南:

<https://server.mangotree.cn:9900/WebFile/Downloads/上手指南/MT-Master/>

MT-Master视频教程:

<https://server.mangotree.cn:9900/WebFile/Downloads/视频教程/MT-Master/>



Master上手指南



Master视频教程

MT-RIO上手指南:

<https://server.mangotree.cn:9900/WebFile/Downloads/上手指南/MT-RIO/>

MT-RIO视频教程:

<https://server.mangotree.cn:9900/WebFile/Downloads/视频教程/MT-RIO/>



RIO上手指南



RIO视频教程

MT-Veristand上手指南:

<https://server.mangotree.cn:9900/WebFile/Downloads/上手指南/MT-VeriStand/>

MT-Veristand视频教程:

<https://server.mangotree.cn:9900/WebFile/Downloads/视频教程/MT-VeriStand/>



VeriStand上手指南



VeriStand视频教程

Dimensions:(mm)

