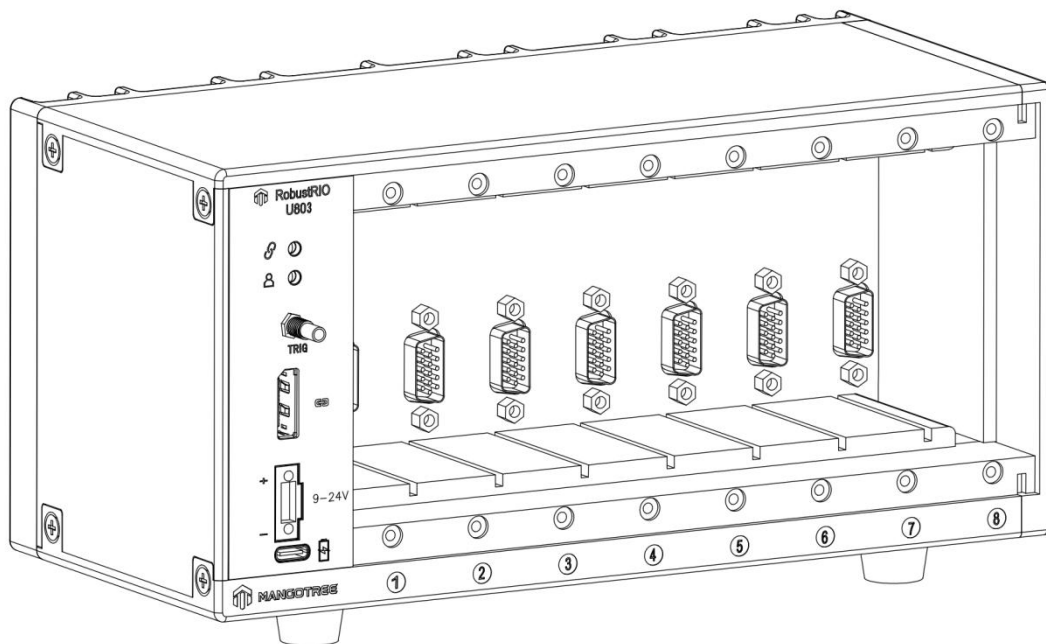


DataSheet

MT-U803

8-Slot Embedded RobustRIO Chassis with PCIe

The MT-U803 needs to be used with the MT-G291.



This document contains the specifications for MT-U803. Specifications are typical at 25°C unless otherwise noted.



Caution Using the MT-U803 in a manner not described in this document may impair the protection the MT-U803 provides.

Reconfigurable FPGA

FPGA type	Spartan-6 Lx75
Number of flip-flops	93,296
Number of LUTs	46,648
Embedded Block RAM	3,096 kbits
Number of DSP48 slices	132

PXle Cable

User need to connect PC to MT-U803 with a PXle cable

DC Input

Screw-terminal	9-24 V
PD Port	12 V

Physical Characteristics

Weight	1.4 kg
Dimensions	see end of this document

Safety Voltages

This product is designed to meet the requirements of the following electrical equipment safety standards for measurement, control, and laboratory use:

- IEC 61010-1, EN 61010-1
- UL 61010-1, CSA C22.2 No. 61010-1

CE Compliance

This product meets the essential requirements of applicable European Directives, as follows:

- 2014/35/EU; Low-Voltage Directive (safety)

- 2014/30/EU; Electromagnetic Compatibility Directive (EMC)
- 2014/34/EU; Potentially Explosive Atmospheres (ATEX)

Shock and Vibration

To meet these specifications, you must panel mount the system.

Operating vibration

Random (IEC 60068-2-64)	5 g _{rms} , 10 Hz to 500 Hz
Sinusoidal (IEC 60068-2-6)	5 g, 10 Hz to 500 Hz
Operating shock (IEC 60068-2-27)	30 g, 11 ms half sine; 50 g, 3 ms half sine; 18 shocks at 6 orientations

Environmental

Refer to the manual for the chassis you are using for more information about meeting these specifications.

Operating temperature (IEC 60068-2-1, IEC 60068-2-2)	-40 °C to 70 °C
Storage temperature (IEC 60068-2-1, IEC 60068-2-2)	-40 °C to 85 °C
Ingress protection	IP40
Operating humidity (IEC 60068-2-78)	10% RH to 90% RH, noncondensing Storage
humidity (IEC 60068-2-78)	5% RH to 95% RH, noncondensing Pollution
Degree	2
Maximum altitude	4,000 m

Indoor use only.

Support

MT-Master上手指南:

<https://server.mangotree.cn:9900/WebFile/Downloads/上手指南/MT-Master/>

MT-Master视频教程:

<https://server.mangotree.cn:9900/WebFile/Downloads/视频教程/MT-Master/>



Master上手指南



Master视频教程

MT-RIO上手指南:

<https://server.mangotree.cn:9900/WebFile/Downloads/上手指南/MT-RIO/>

MT-RIO视频教程:

<https://server.mangotree.cn:9900/WebFile/Downloads/视频教程/MT-RIO/>



RIO上手指南



RIO视频教程

MT-Veristand上手指南:

<https://server.mangotree.cn:9900/WebFile/Downloads/上手指南/MT-VeriStand/>

MT-Veristand视频教程:

<https://server.mangotree.cn:9900/WebFile/Downloads/视频教程/MT-VeriStand/>



VeriStand上手指南



VeriStand视频教程

Dimensions:(mm)

