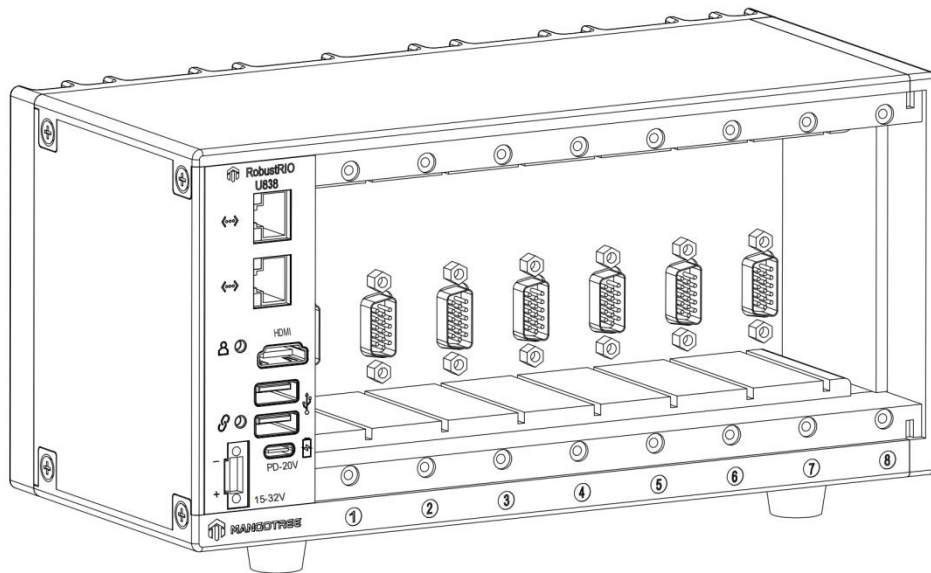


DataSheet

# MT-U838

8-Slot Embedded RobustRIO Controller with Real-Time Processor  
and Reconfigurable FPGA



This document contains the specifications for MT-U834. Specifications are typical at 25°C unless otherwise noted.



**Caution** Using the MT-U834 in a manner not described in this document may impair the protection the MT-U834 provides.

## Reconfigurable FPGA

---

FPGA type	Kintex-7 325T
Number of flip-flops	407,600
Number of LUTs	203,800
Embedded Block RAM	16,020 kbits
Number of DSP48 slices	840

---

## Processor

---

CPU	Intel J4125
Number of cores	4
CPU frequency	2.7 GHz max
L2 cache	4 MB

---

## Operating System

---

Supported operating system	Windows or Linux RT
----------------------------	---------------------

---

## Ethernet Port

---

Numbers of ports	2
Network interface	10Base-T, 100Base-TX, and 1000Base-T Ethernet

---

## USB Ports

---

Number of USB 2.0	2
-------------------	---

---

## Display Port

---

Supported Port	HDMI
----------------	------

---

## Memory

---

Processor memory	4 GB
Solid-state drive	512 GB

---

## DC Input

---

Screw-terminal	15-32 V
PD Port	20 V

---

## Physical Characteristics

---

Weight	2.11 kg
Dimensions	see end of this document

---

## Safety Voltages

This product is designed to meet the requirements of the following electrical equipment safety standards for measurement, control, and laboratory use:

- IEC 61010-1, EN 61010-1
- UL 61010-1, CSA C22.2 No. 61010-1

## CE Compliance

This product meets the essential requirements of applicable European Directives, as follows:

- 2014/35/EU; Low-Voltage Directive (safety)
- 2014/30/EU; Electromagnetic Compatibility Directive (EMC)
- 2014/34/EU; Potentially Explosive Atmospheres (ATEX)

## Shock and Vibration

To meet these specifications, you must panel mount the system.

---

Operating vibration

---

Random (IEC 60068-2-64)	5 g <sub>rms</sub> , 10 Hz to 500 Hz
Sinusoidal (IEC 60068-2-6)	5 g, 10 Hz to 500 Hz
Operating shock (IEC 60068-2-27)	30 g, 11 ms half sine; 50 g, 3 ms half sine; 18 shocks at 6 orientations

## Environmental

Refer to the manual for the chassis you are using for more information about meeting these specifications.

Operating temperature (IEC 60068-2-1, IEC 60068-2-2)	-40 °C to 70 °C
Storage temperature (IEC 60068-2-1, IEC 60068-2-2)	-40 °C to 85 °C
Ingress protection	IP40
Operating humidity (IEC 60068-2-78)	10% RH to 90% RH, noncondensing Storage
humidity (IEC 60068-2-78)	5% RH to 95% RH, noncondensing Pollution
Degree	2
Maximum altitude	4,000 m

Indoor use only.

# Support

MT-Master上手指南:

<https://server.mangotree.cn:9900/WebFile/Downloads/上手指南/MT-Master/>

MT-Master视频教程:

<https://server.mangotree.cn:9900/WebFile/Downloads/视频教程/MT-Master/>



Master上手指南



Master视频教程

MT-RIO上手指南:

<https://server.mangotree.cn:9900/WebFile/Downloads/上手指南/MT-RIO/>

MT-RIO视频教程:

<https://server.mangotree.cn:9900/WebFile/Downloads/视频教程/MT-RIO/>



RIO上手指南



RIO视频教程

MT-Veristand上手指南:

<https://server.mangotree.cn:9900/WebFile/Downloads/上手指南/MT-VeriStand/>

MT-Veristand视频教程:

<https://server.mangotree.cn:9900/WebFile/Downloads/视频教程/MT-VeriStand/>



VeriStand上手指南



VeriStand视频教程

# Dimensions:(mm)

